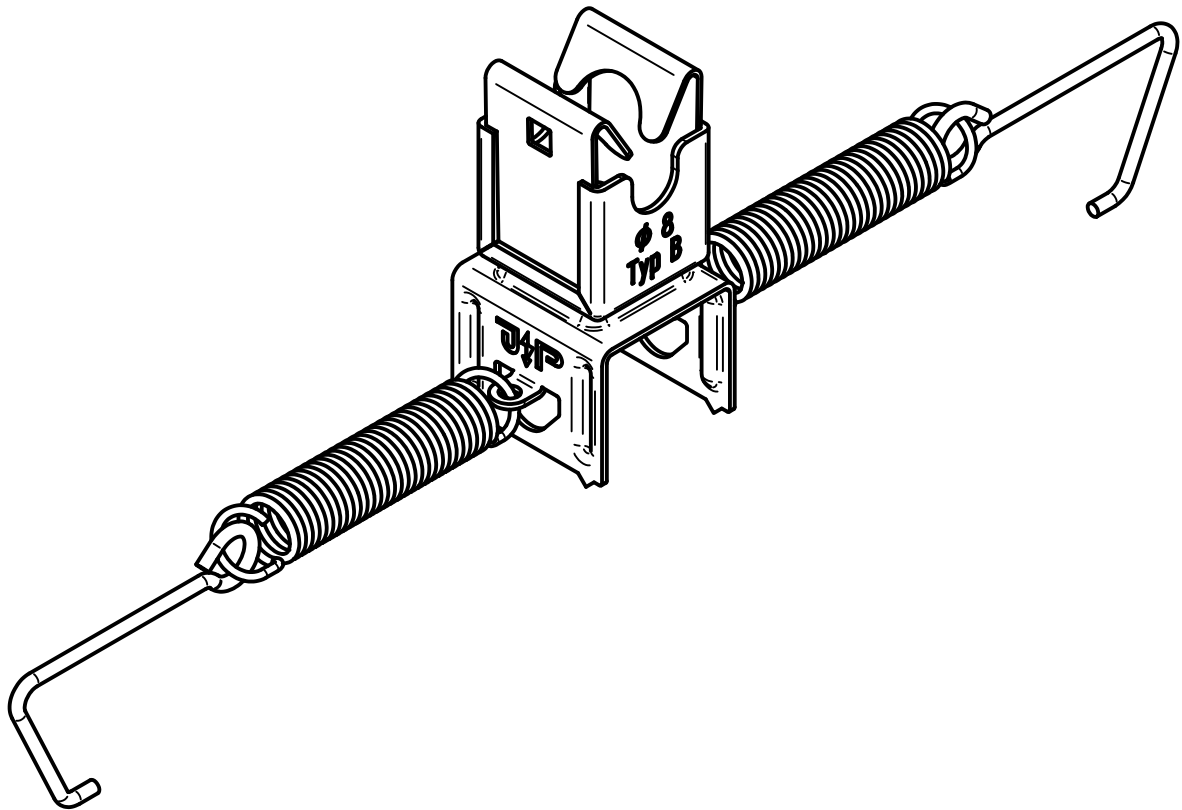
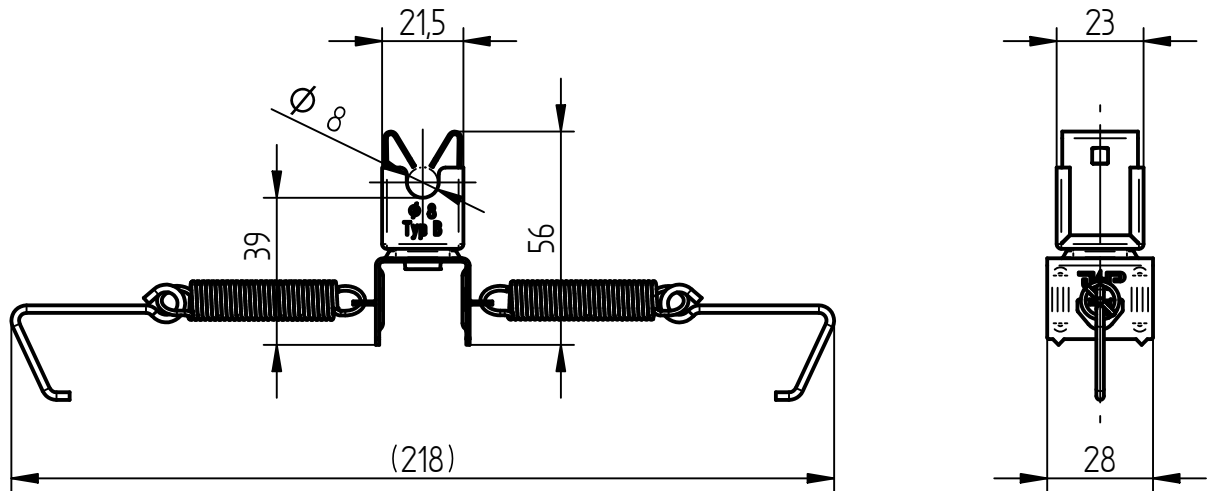


# Product Specification

**Ord.-No.:** 111 177

**Specification:** Roof conductor holder, V2A, Ø 8 mm, type B  
ridge tiles, central conductor leading

**Performance:** Roof conductor holder according to DIN EN 62561-4 for installing round conductors to ridge tiles.  
Type with Niro-Clip conductor fastener and tension springs.



Material	stainless steel V2A
Height of conductor leading	39 mm
Fit of conductor fastener	Ø 8 mm
Conductor leading	loose, type B, central to the roof ridge
Weight	60 g
Standard reference	DIN EN 62561-4
Packing unit	25 units