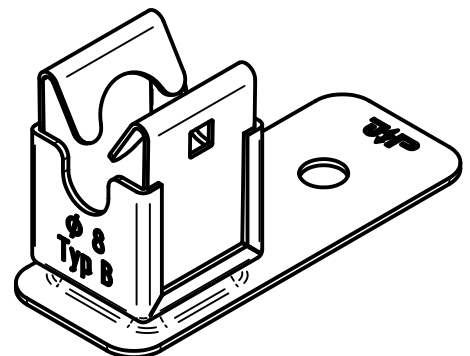
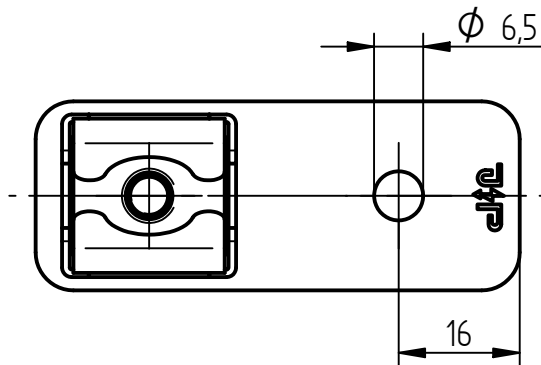
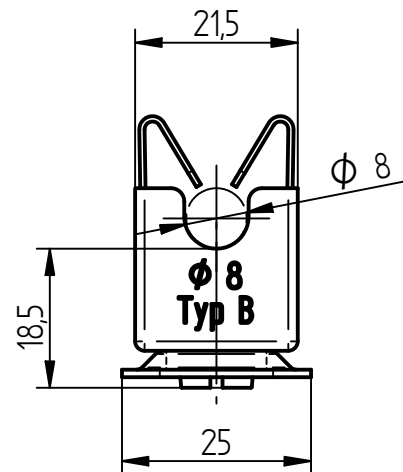
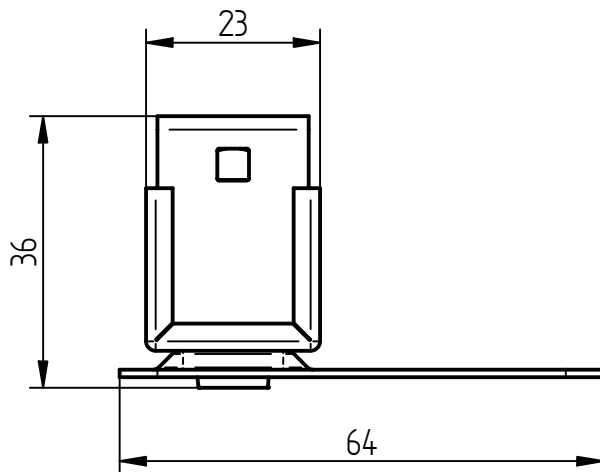


Product Specification

Ord.-No.: **111 039**

Specification: Roof conductor holder, V2A, Ø 8mm type B
Fixing of conductor fastener Ø 6.5 mm

Performance: Roof conductor holder according to DIN EN 62561-4 for installing round conductors to corrugated sheet roofs.
Type with Niro-Clip conductor fastener.



Material	Stainless steel V2A
Fixing of conductor fastener	Ø 6.5 mm
Height of conductor leading	18.5 mm
Fit of conductor fastener	Ø 8 mm
Conductor leading	loose, type B
Weight	37 g
Standard reference	DIN EN 62561-4
Packing unit	100 units