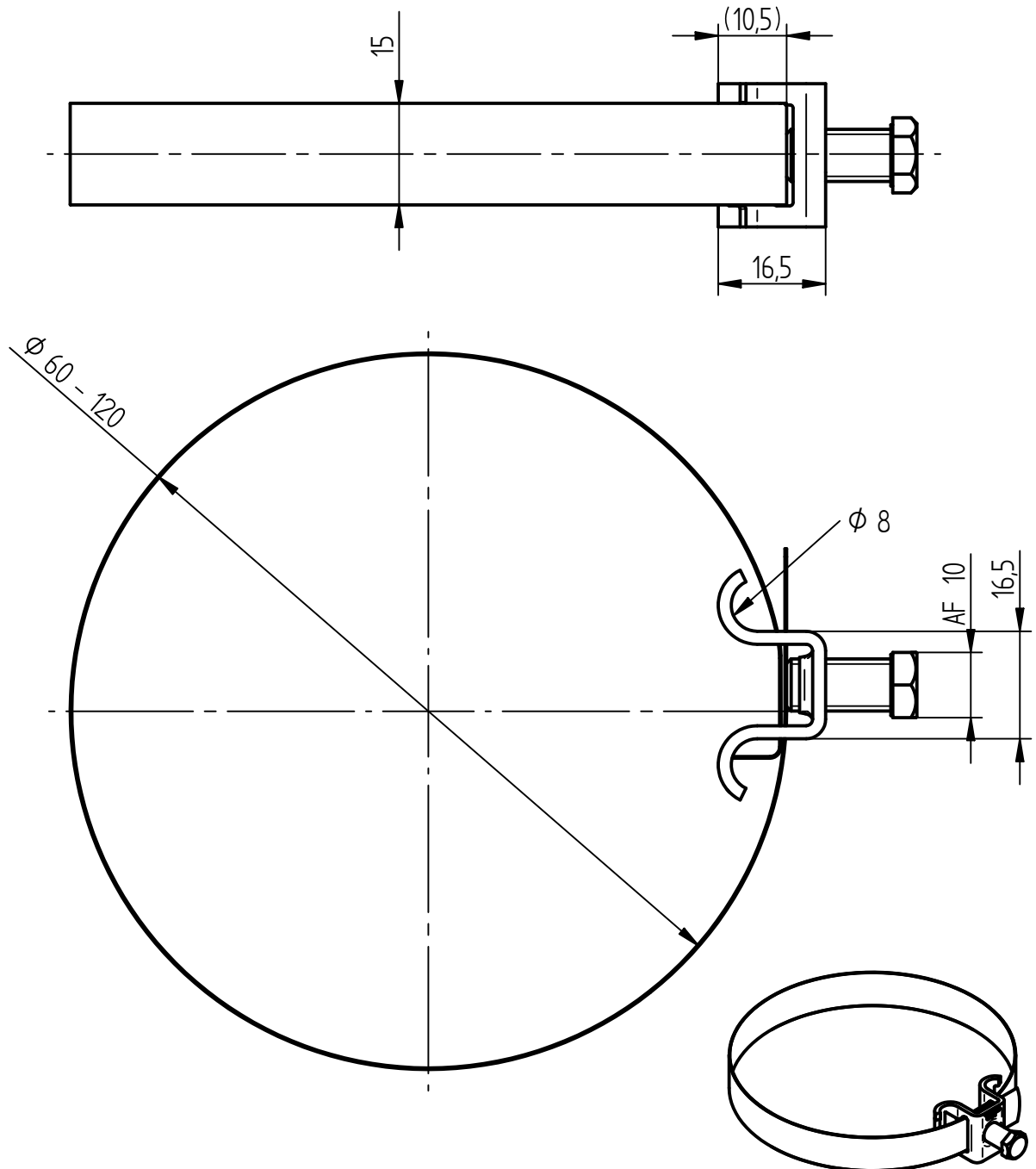


# Product Specification

**Ord.-No.:** **110 250**

**Specification:** Downpipe conductor fastener, V2A, Ø 8 mm for pipe diameter Ø 60-120 mm

**Performance:** Downpipe conductor fastener according to DIN EN 62561-4 with embossing for the installation of conductors behind the downpipe. No additional fastener on the wall is necessary! Very fast and clean installation.



Material	Stainless steel V2A
Fit	Ø 8 mm
Pipe diameter	Ø 60-120 mm
Screw	Hexagon bolt M8 (SW 10 mm), stainless steel V2A
Weight	44 g
Standard reference	DIN EN 62561-4
Packing unit	50 units