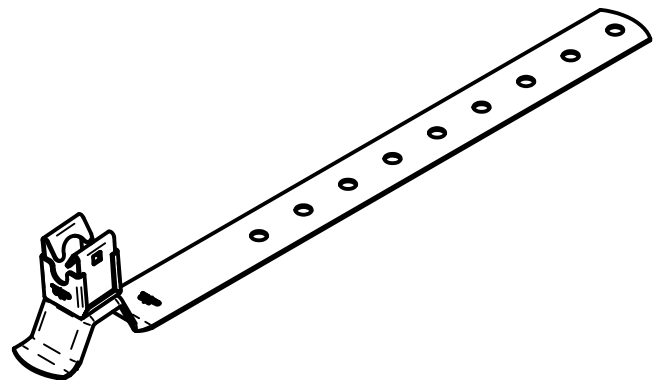
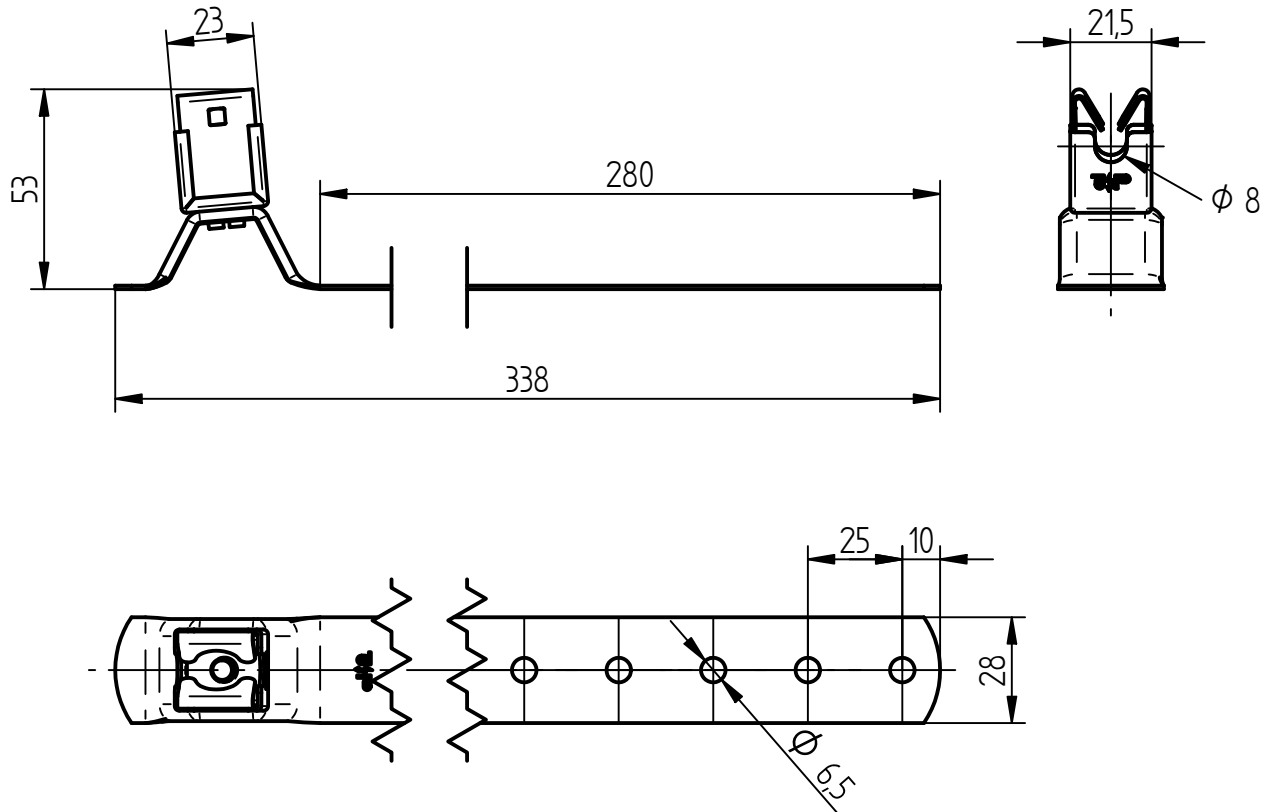


# Product Specification

**Ord.-No.:** **111 541**

**Specification:** Roof conductor holder, V2A, Ø 8mm type B for universal use, 280 mm length

**Performance:** Roof conductor holder according to DIN EN 62561-4 for universal use. Type with Niro-Clip conductor fastener.



Material of bottom part	Stainless steel V2A
Length	280 mm
Material of conductor fastener	Stainless steel V2A
Fit of conductor fastener	Ø 8 mm
Height of conductor leading	33,5 mm
Conductor leading	loose, type B
Weight	94 g
Standard reference	DIN EN 62561-4
Packing unit	100 units